

Backscatter 1st Edition Errata— to be inserted after p347

Figure 1. Circuit Diagram

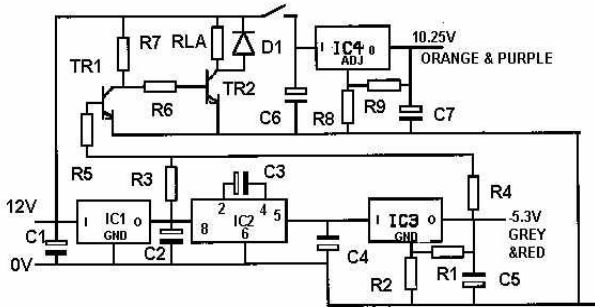


Figure 2. PCB Track Layout

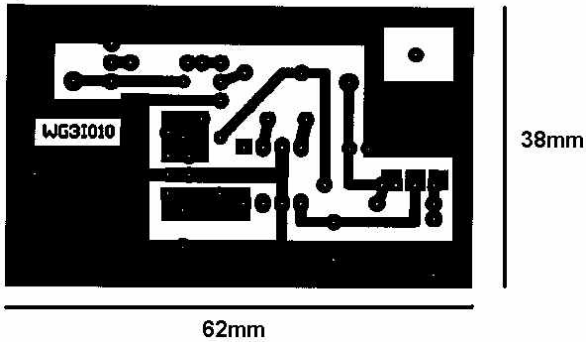


Figure 3. Component Overlay

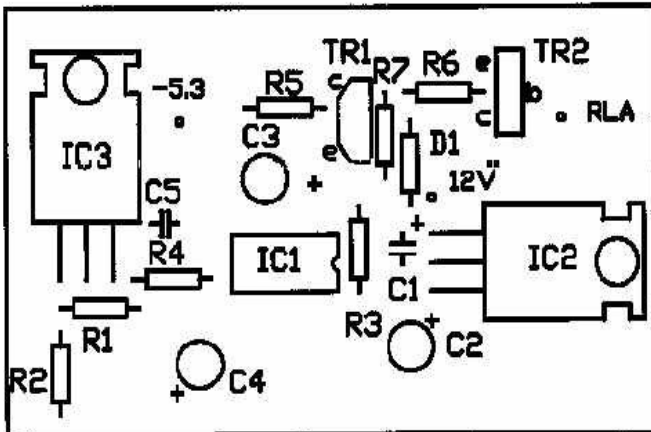


Table 1 Component listing

Component	Value
C1	0.1uF 25V TANT
C2	1uF 16V TANT
C3,C4	22uF 10V TANT
C5	0.1uF Ceramic
C6	10uF 16V TANT
C7	22uF 16V TANT
D1	1N4001
IC1	7808
IC2	LTC1044
IC3	LM337T
IC4	LT1084CT
R1,R6	470
R2,R5,R7	1k2
R3	4k7
R4	3k3
R8	867(820+47 in series)
R9	120
TR1	2N3904 or similar
TR2	BD132 or similar
RL1	DPDT 12V coil 5A contacts